

1 2 3 4 5 6 7 8

A

B

C

D

E

F

A

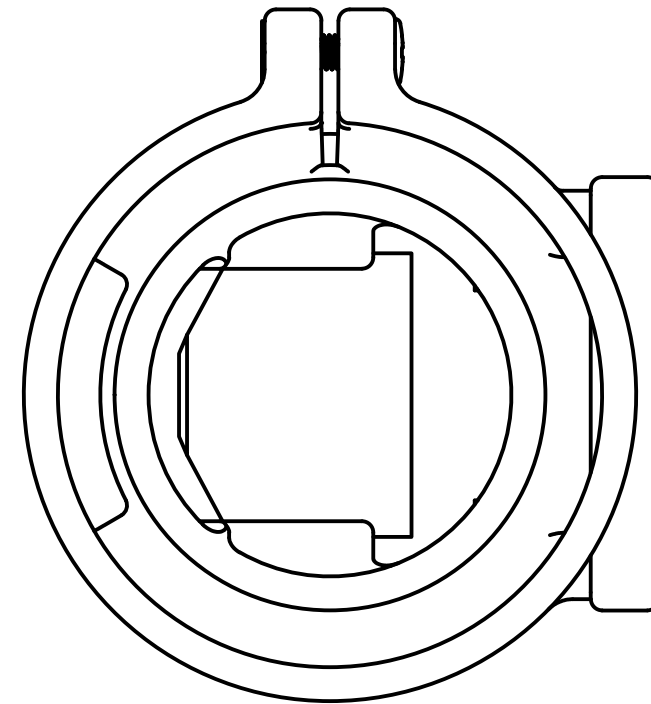
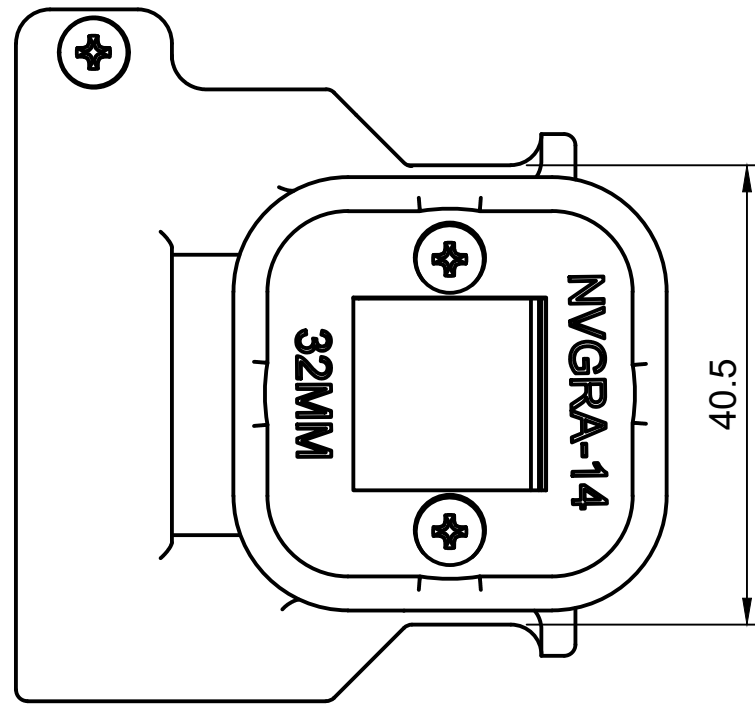
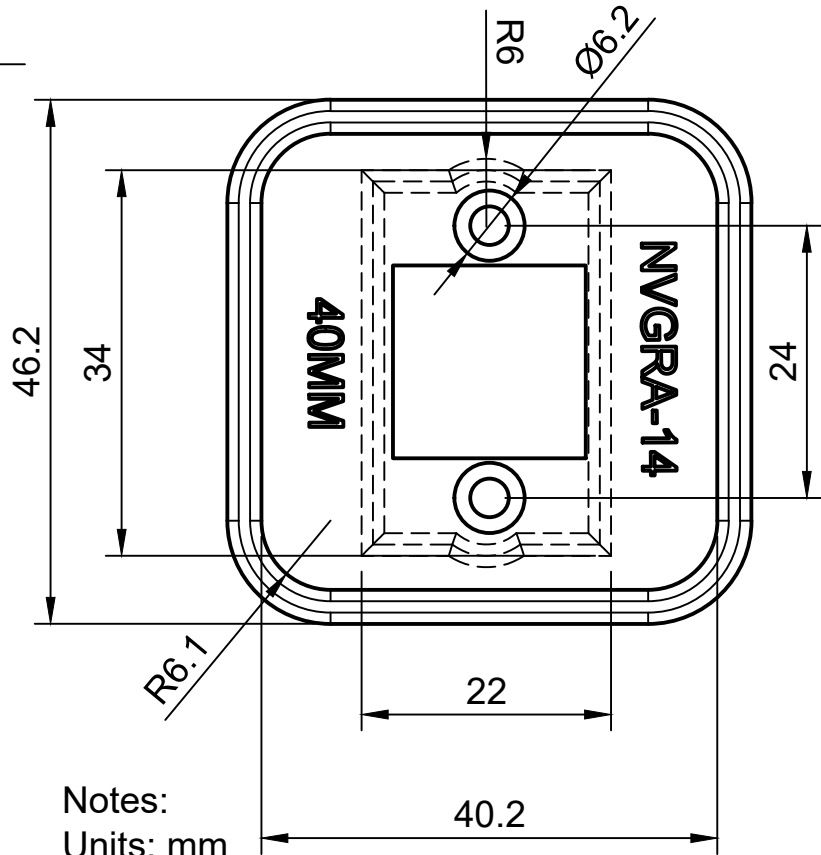
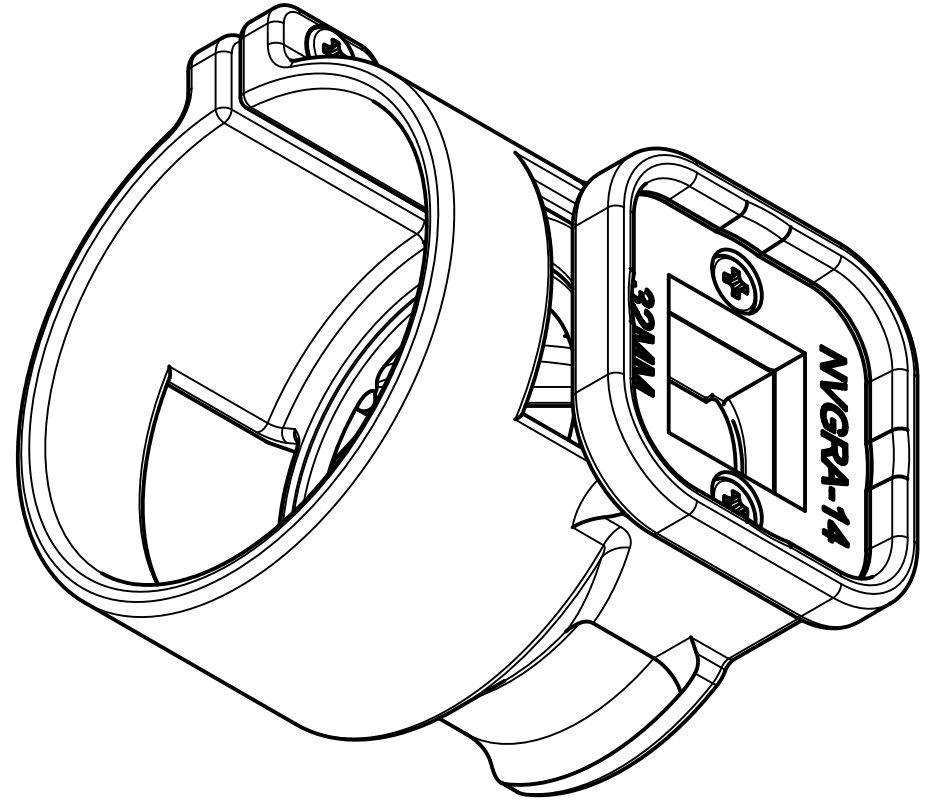
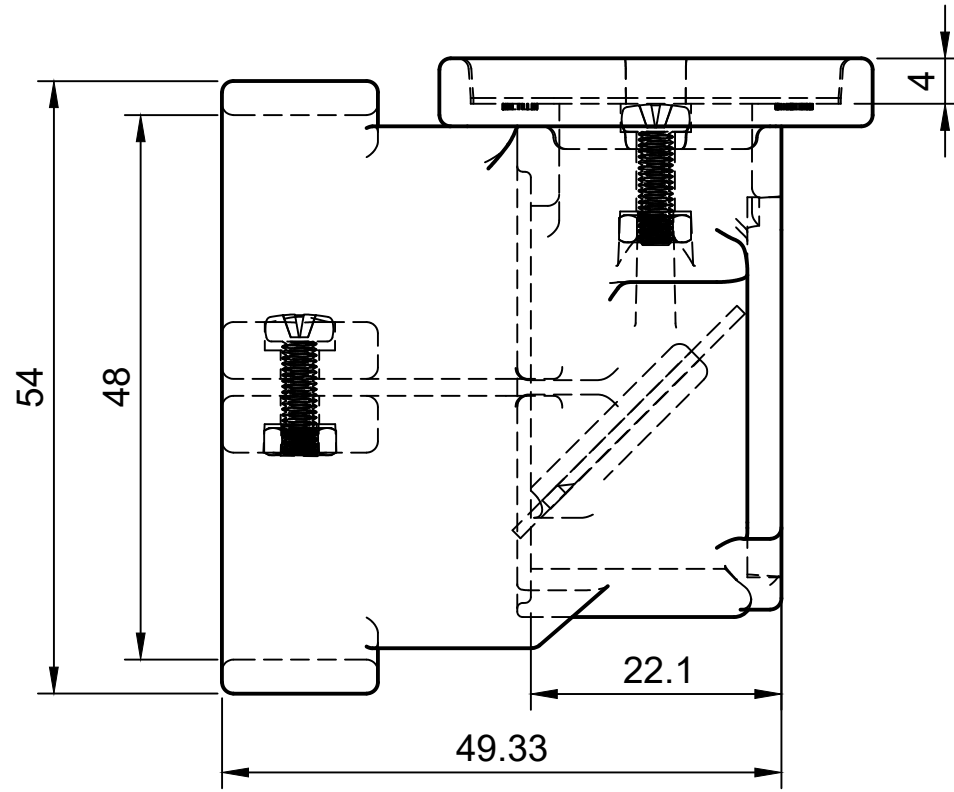
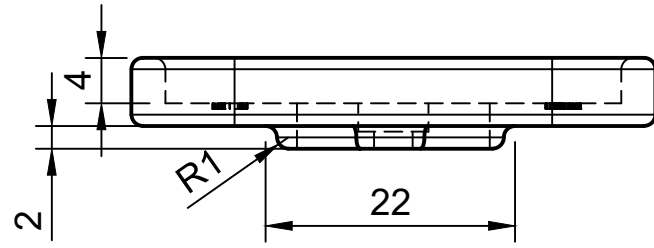
B

C

D

E

F



Notes:
 Units: mm
 All Bevels have radius 1mm
 Additional drawings of modular camera cups available for design reference

Dept.	Technical reference	Created by TOP	9/26/2023	Approved by
		Document type	Document status	
		Title NVGRA-14-M Critical Dimensions	DWG No. 8	
Rev.	Date of issue	Sheet		
1	25 SEP 2023	1/1		

1 2 3 4 5 6 7 8